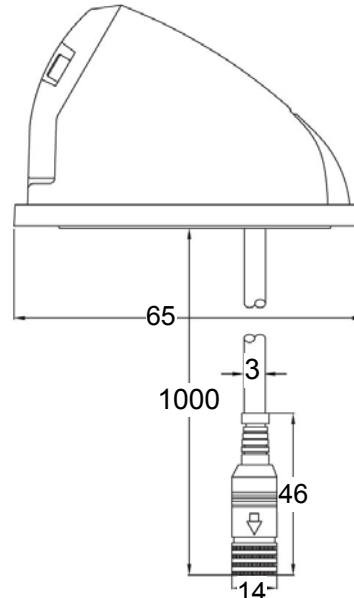
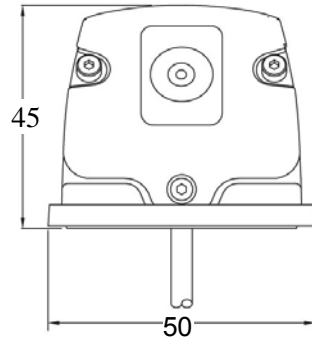


Product Specification

Brigade Model Number: BE-300C

Brigade Stock Code: A2052



Dimensions: mm

Product Specification

Environmental Specifications:

- Shock Rating: 100 G
- Vibration Rating: 20 G
- Camera IP Rating: IP68
- Connector IP Rating: IP67
- Operating Temperature: -30° to +80°C
- Storage Temperature: -40° to +90°C

Approved Standards:

- CE
- RoHS
- 2006/28/EC
- 2003/97/EC with compliant monitor.
- R46 with compliant monitor.
- 95/54/EC
- ECE R10.02
- HALT
- ISO 230653: 2006 (IP Testing)

Technical Specifications:

- Operating Voltage: 12 Vdc
- Current Consumption: ≤100mA
- Power Consumption: ≤1.2 Watts
- Imaging Devices: CCD - 1/3" SONY
DSP - SONY
- TV System: PAL
- Picture Elements: 500 (H) x 582 (V)
- Visual Resolution: 420 TV Lines
- Lens Focal Length: 3.9mm
- Signal to Noise Ratio: >50dB
- Required Illumination: 0.1 Lux

Technical Specifications Continued...

- Viewing Angle: 95° (H), 72° (V), 125° (D)
- Weight: 155 Grams
- Video Output: 1.0 Vp-p / 75Ω
- Length of Cable: 1 Meter
- Overall Dimensions:
50mm (W) x 65mm (D) x 45mm (H)
- Casing Material: Die cast Aluminium
- View: Left Side View (Mirror)
- Finish: Black Power Coating

Features:

- Back Light Compensation
- Automatic White Balance
- Automatic IRIS
- BE Type Connector
- VBV Type Connector
- High Quality SONY CCD & DSP

Package Contents:

- 1x Camera
- 1x Instruction Leaflet
- 1x Bracket
- 1x Bracket Gasket
- 3x Bolts
- 1x 2.5mm Allen Key
- 3x Self Tapping Screws
- 1x 30cm Self Vulcanizing Insulation Tape
- 1x BE Connector Adapter (AC-017)
- 1x VBV Connector Adapter (AC-018)